

Table with columns: NAME, FRMN, FRMAX, FILL, VNET, WEIGHT, L.C.G., T.C.G., V.C.G. Includes data for Cargo (Density=1.025 t/m³) and Water Ballast (Density=1.025 t/m³).

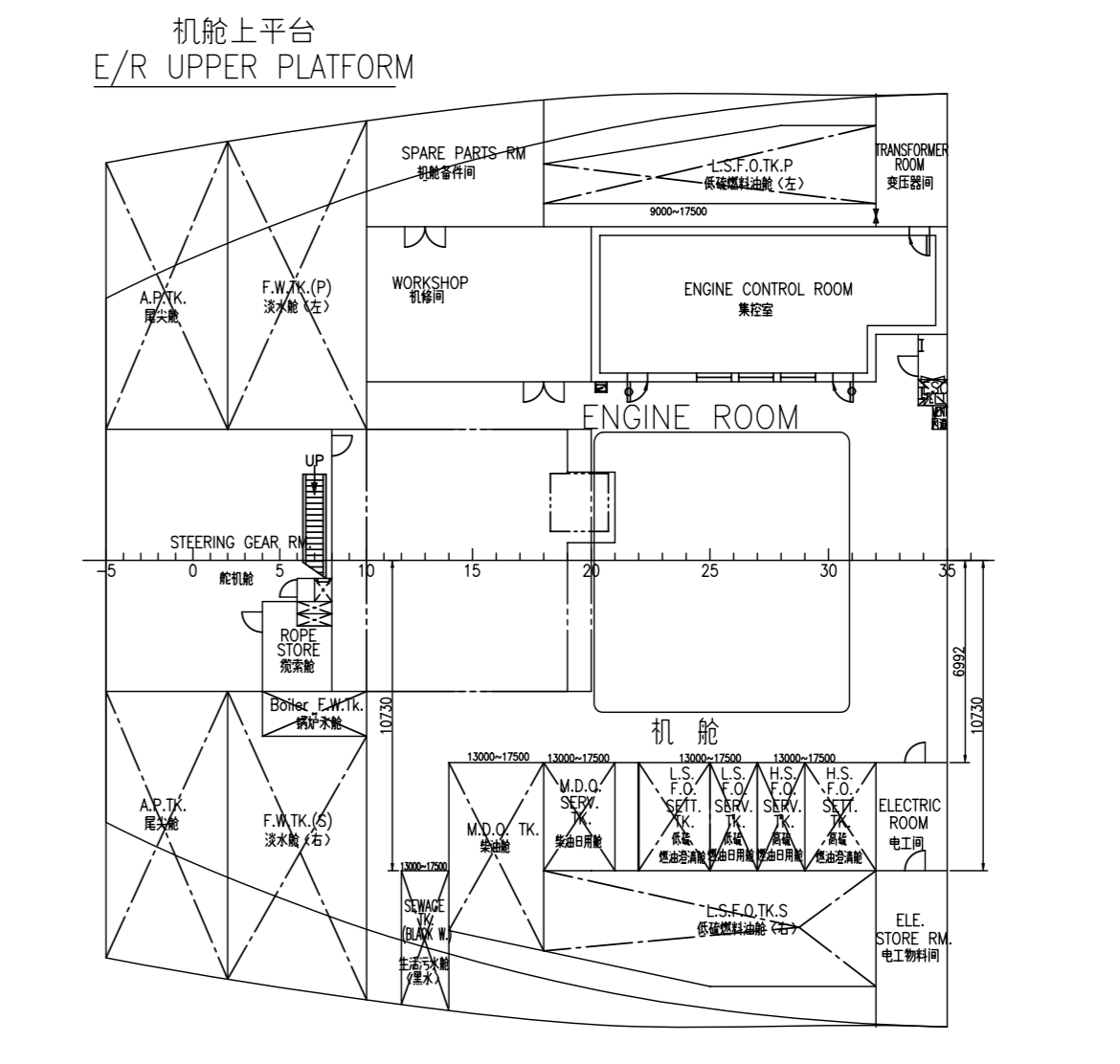
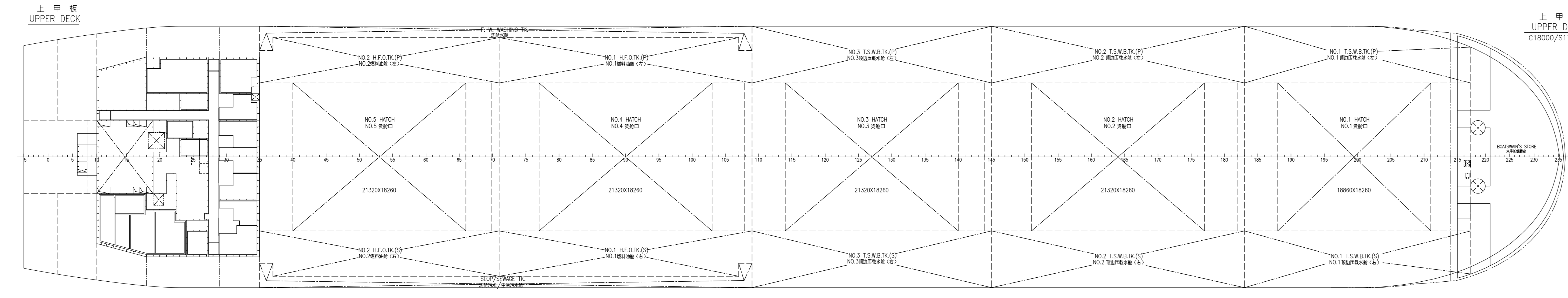


Table with columns: NAME, FRMN, FRMAX, FILL, VNET, WEIGHT, L.C.G., T.C.G., V.C.G. Includes data for F.P.T.K., F.P.K., and various B.S.W.B.T.K.s (Density=1.025 t/m³).

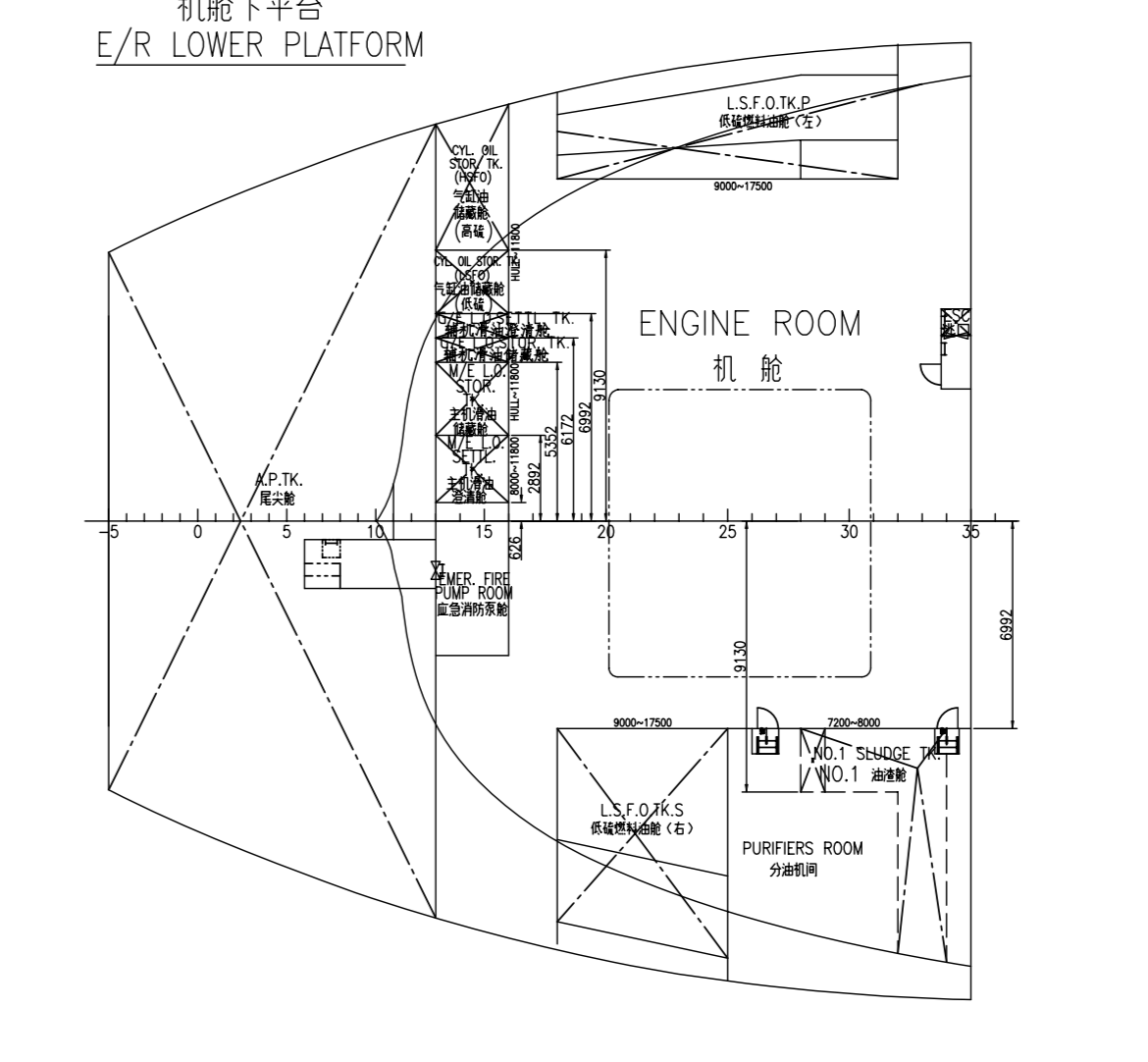
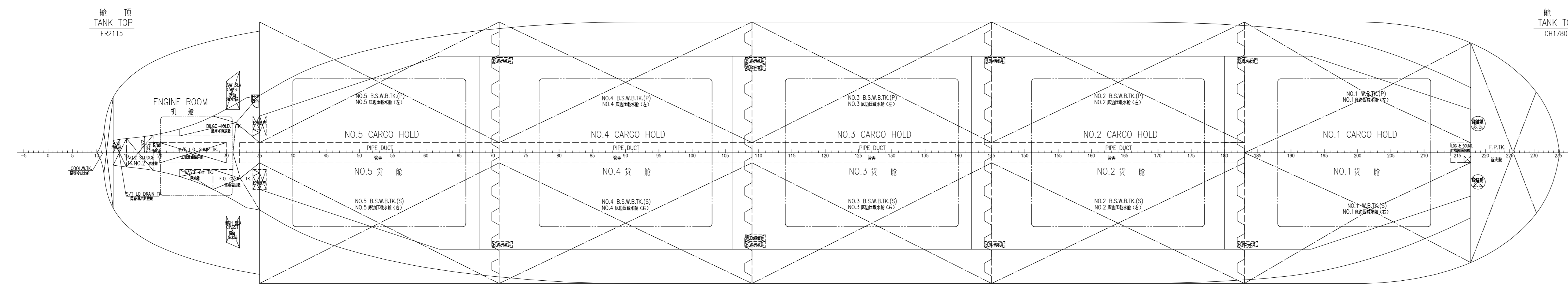
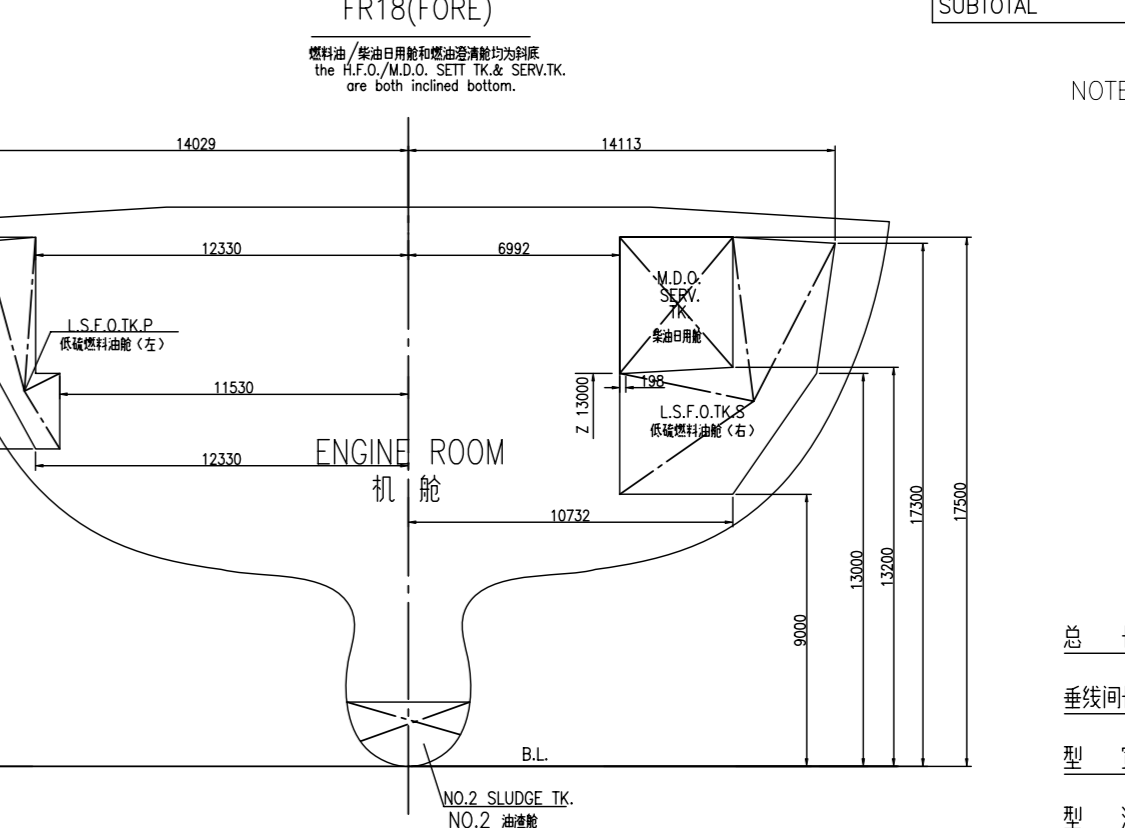
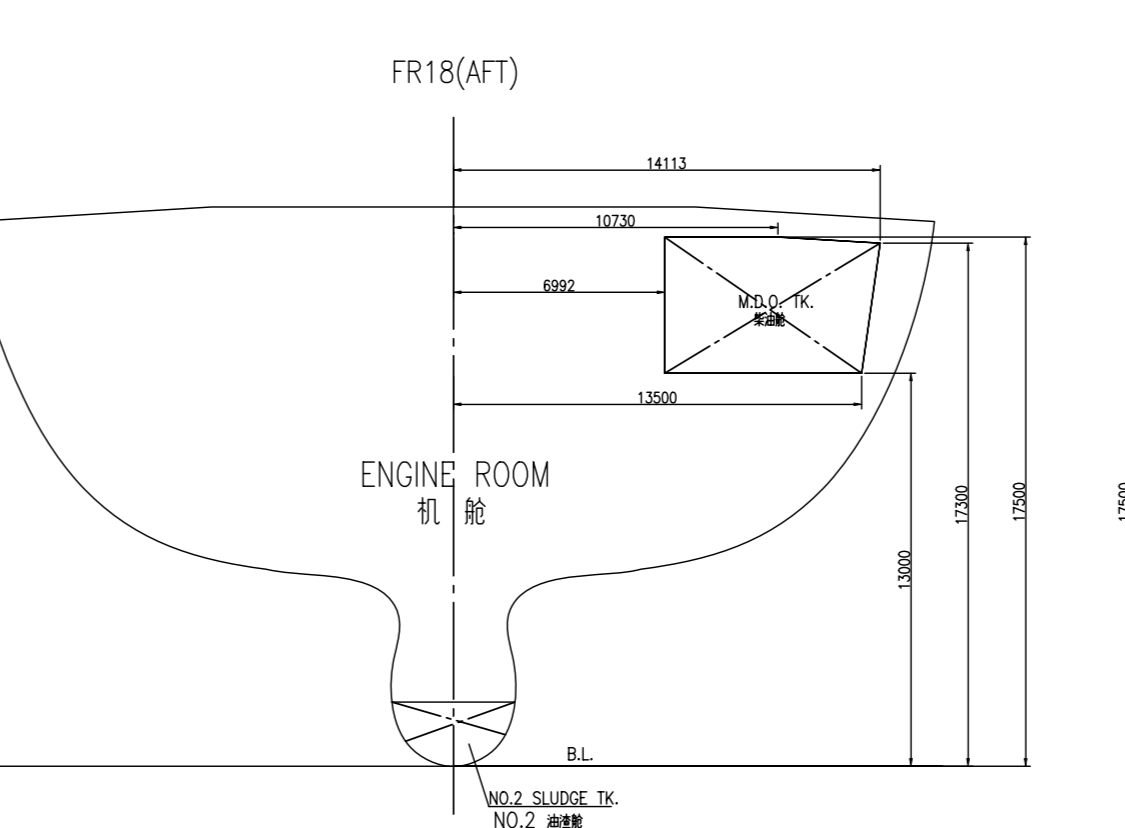
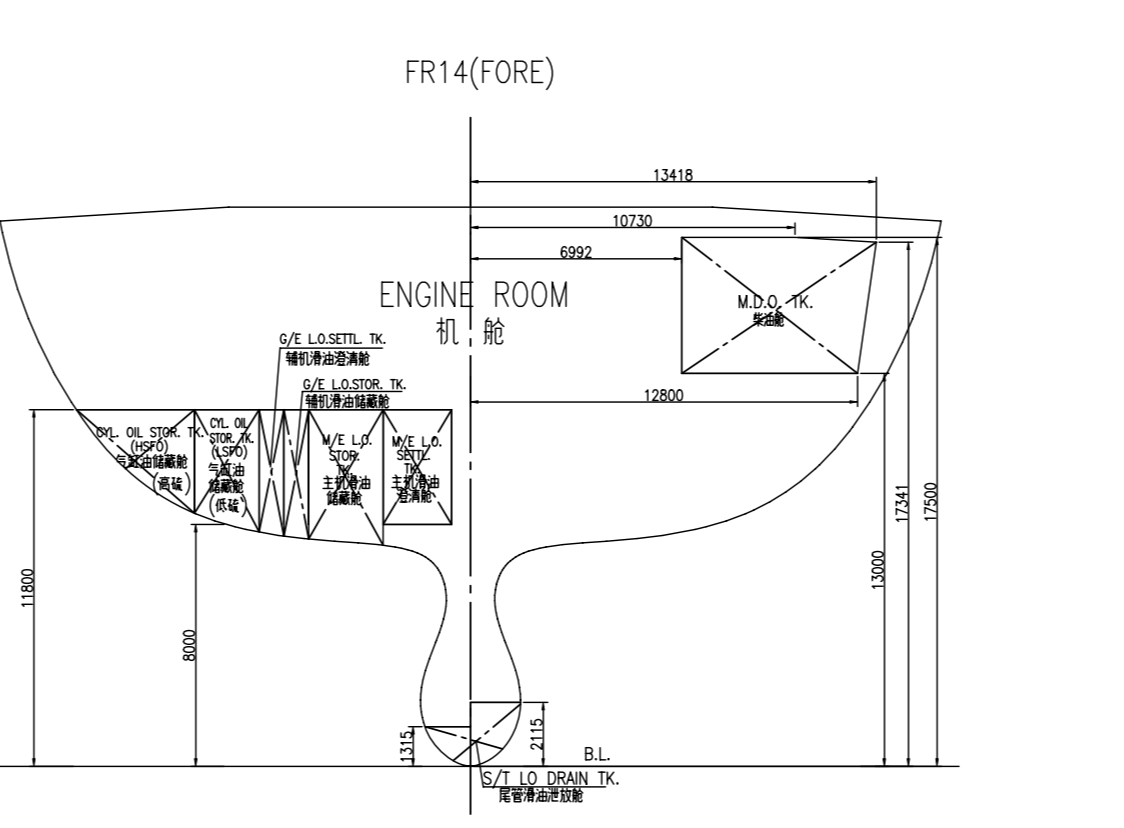
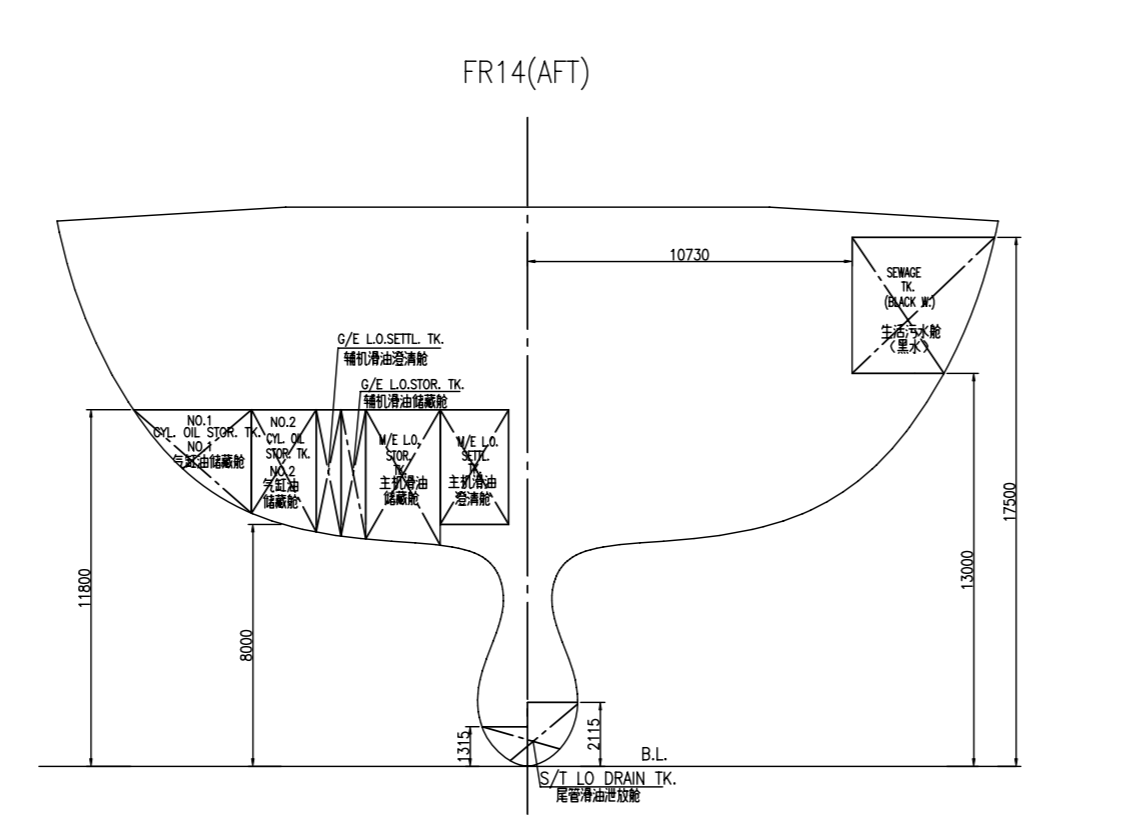
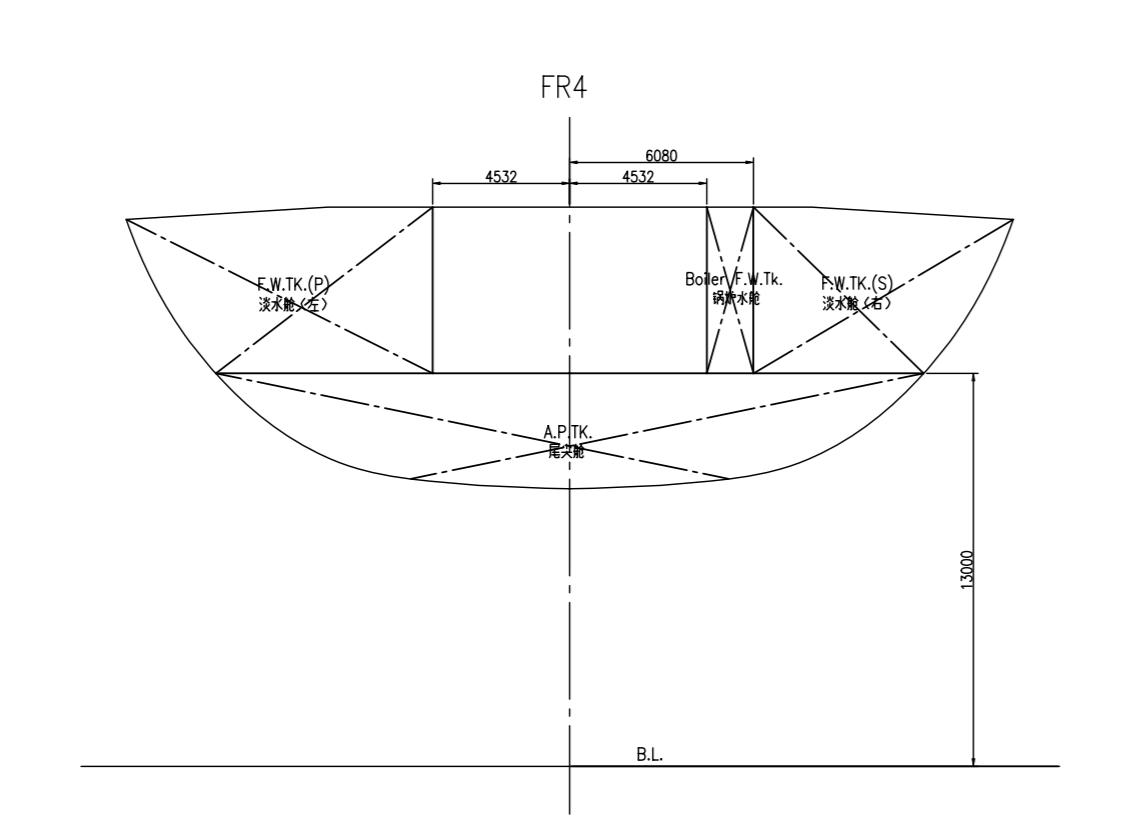
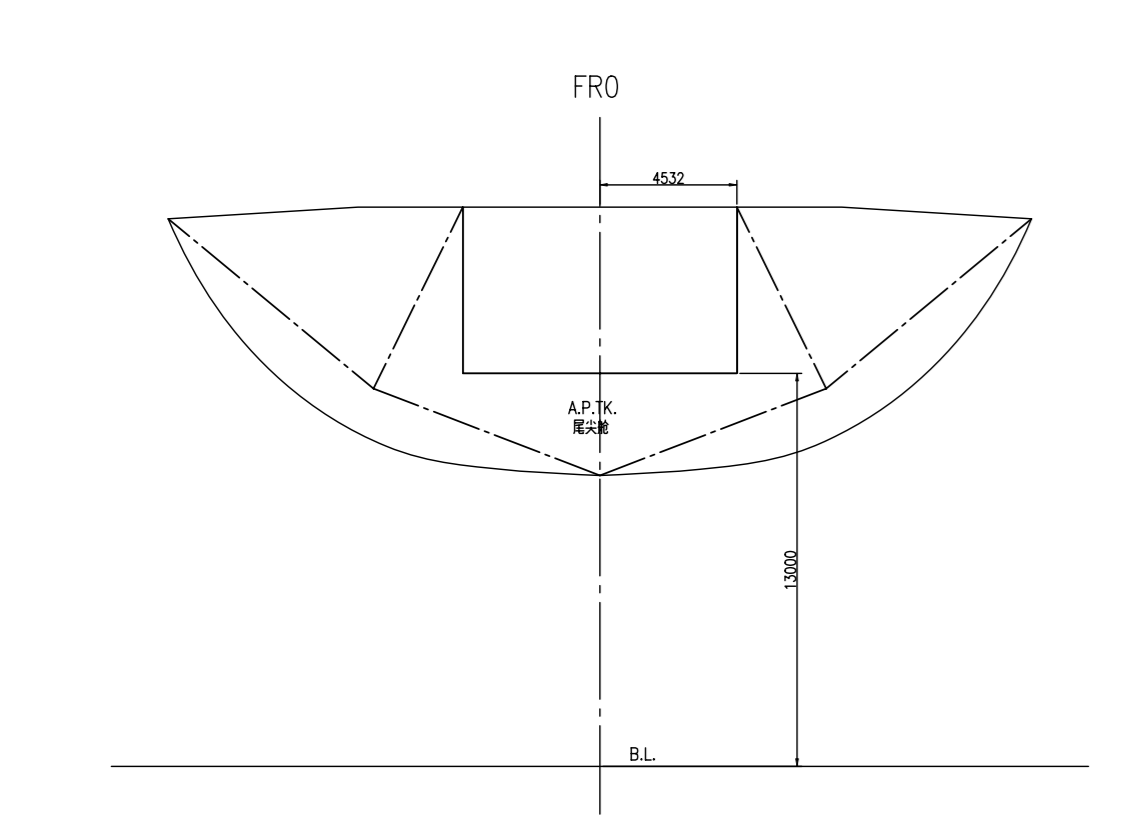
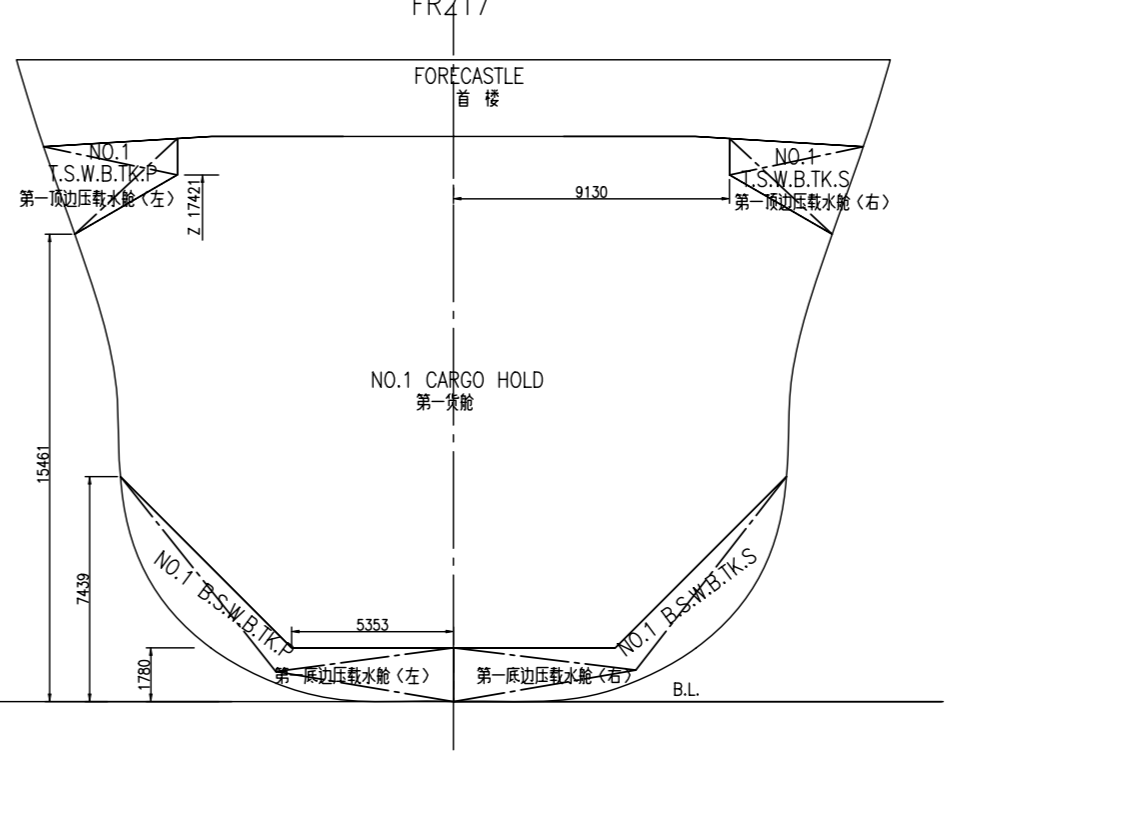
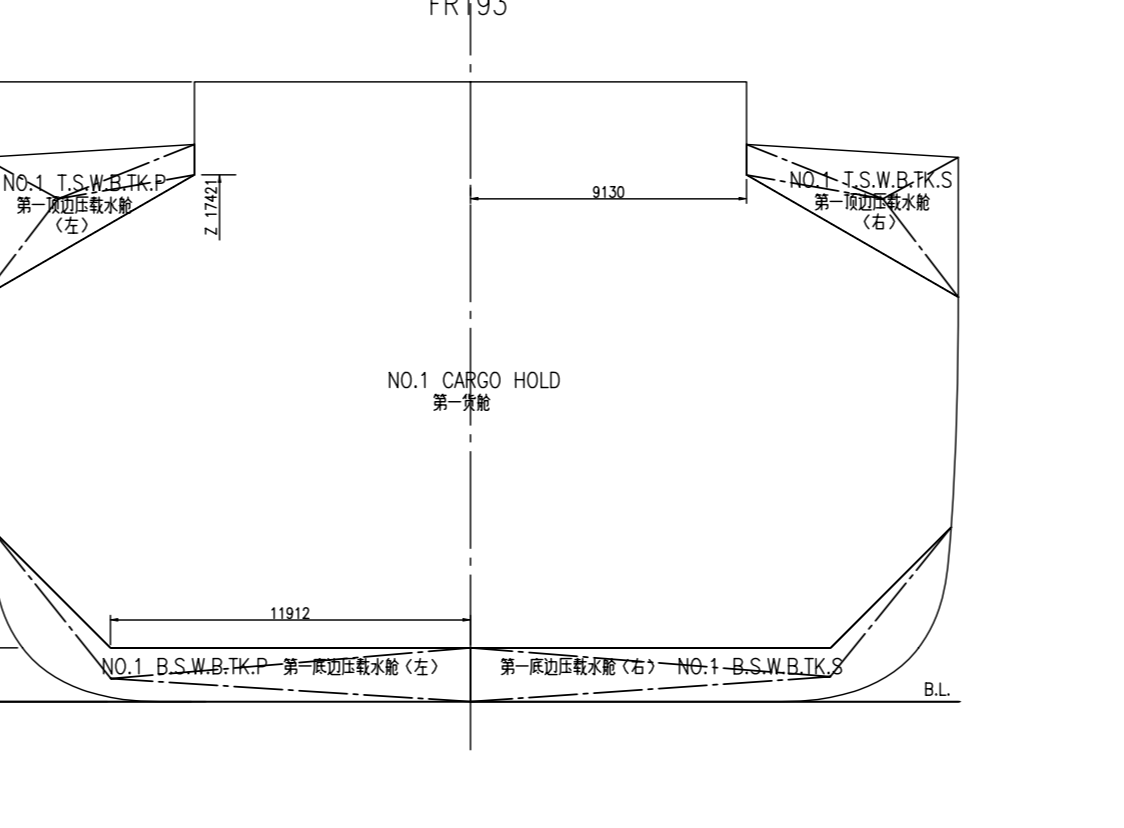
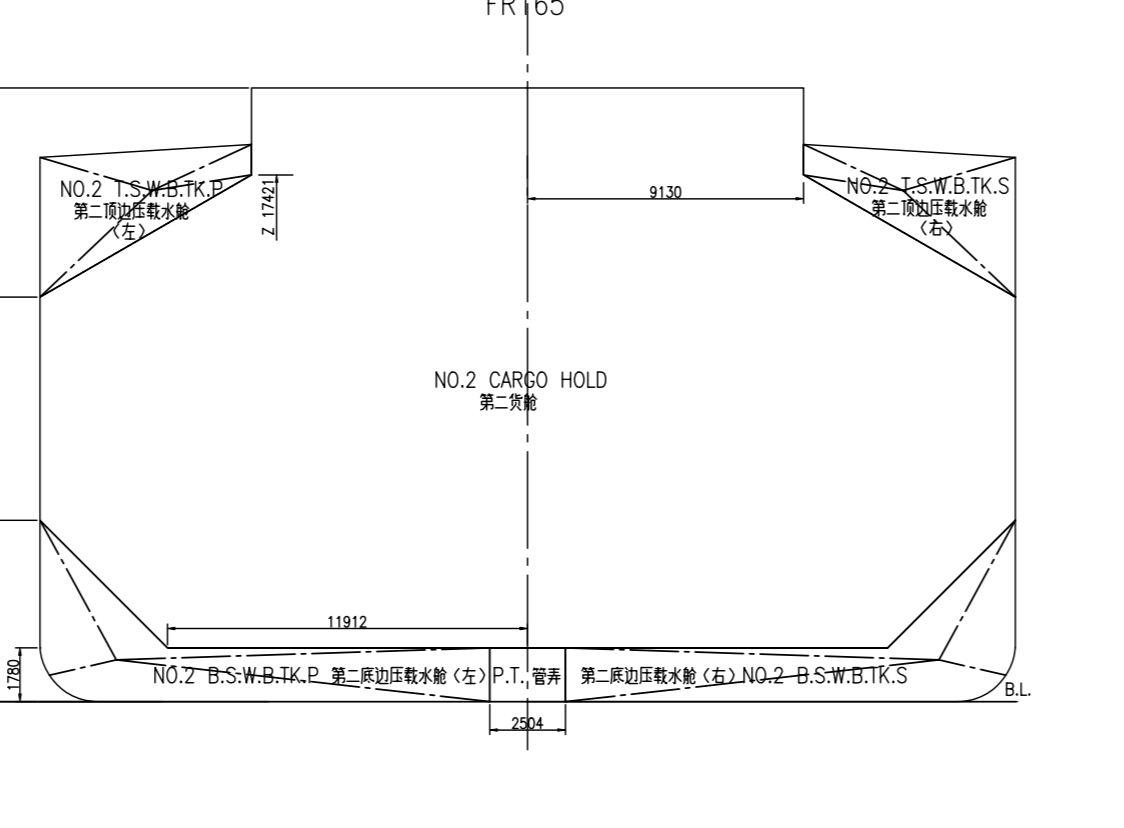
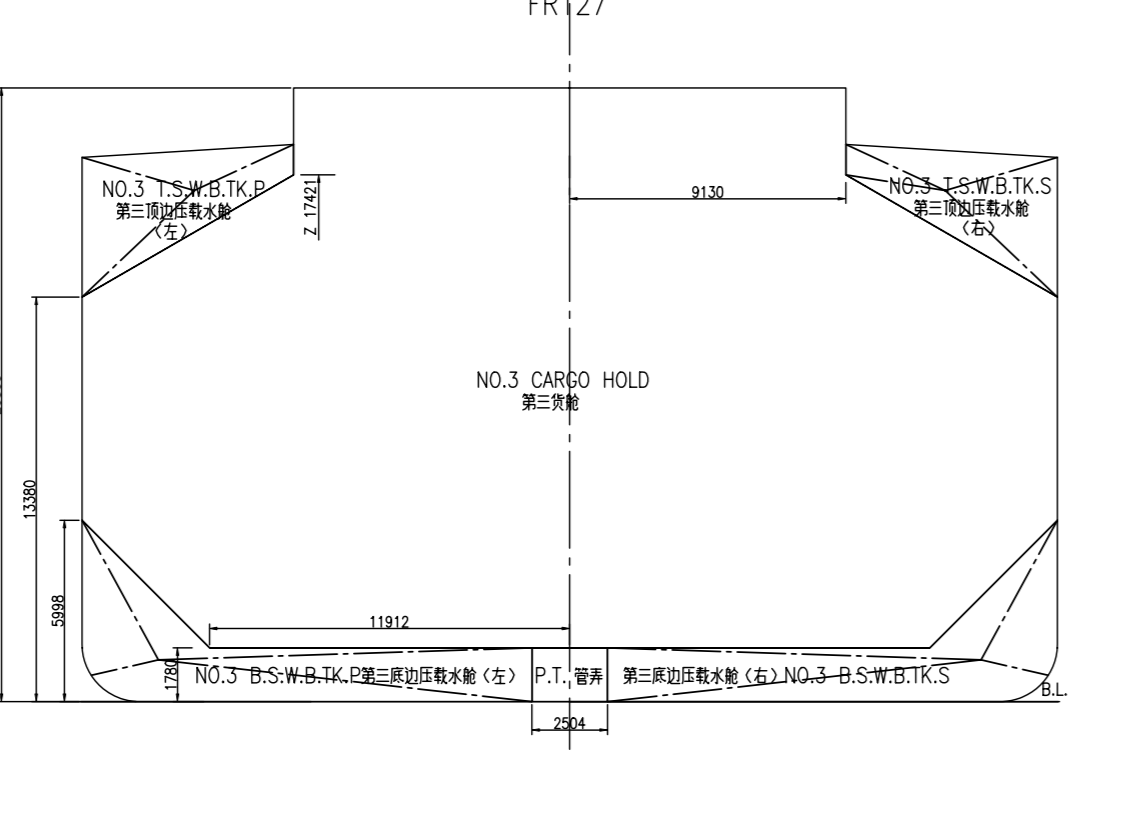
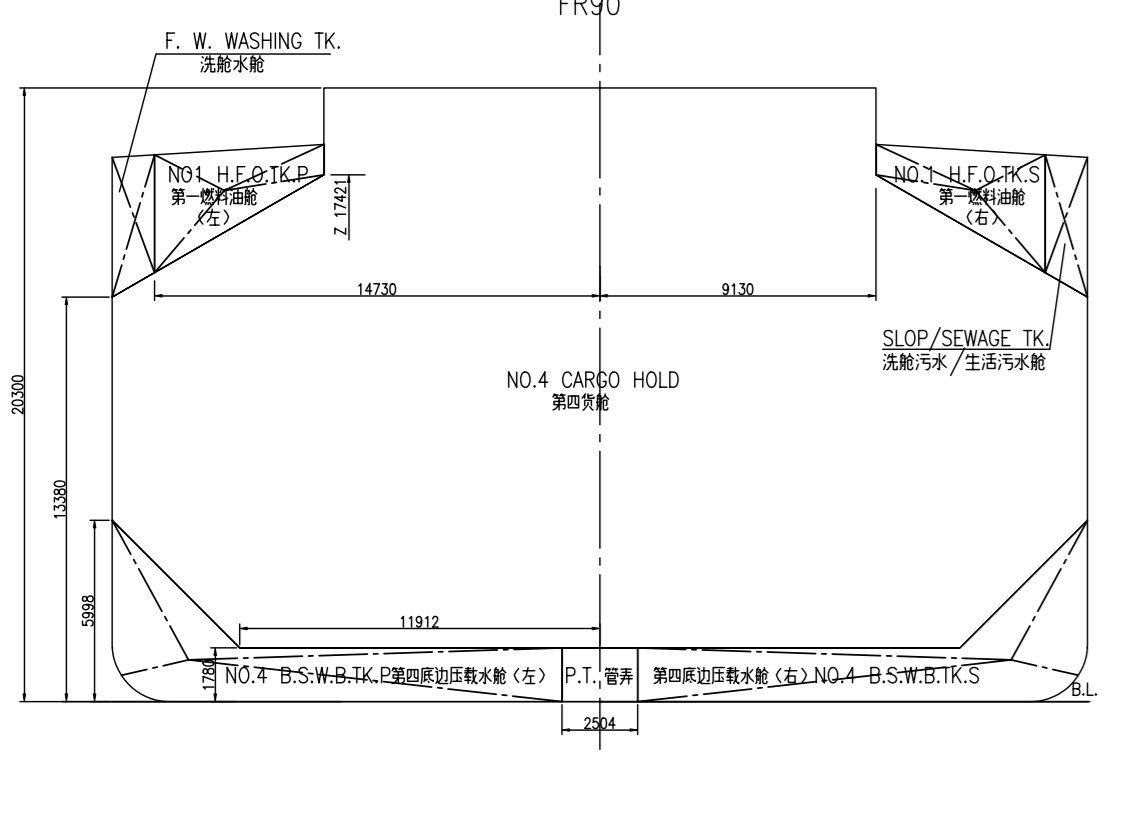
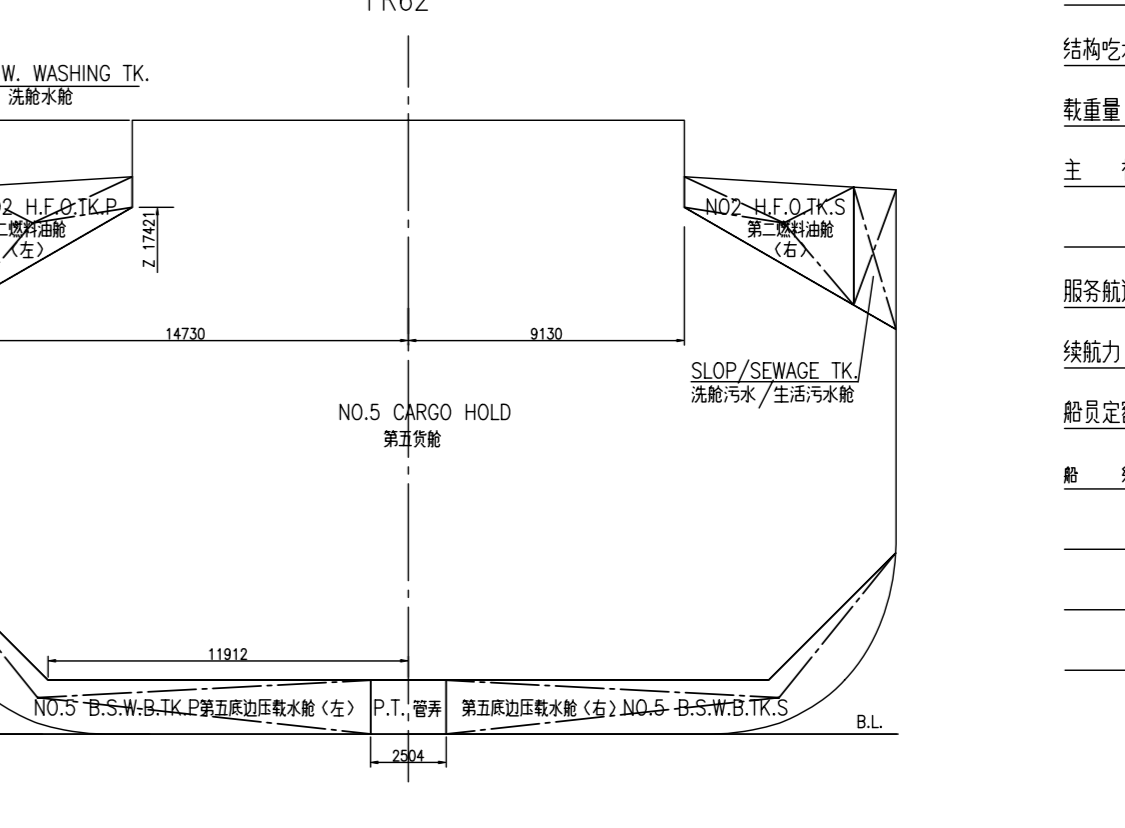
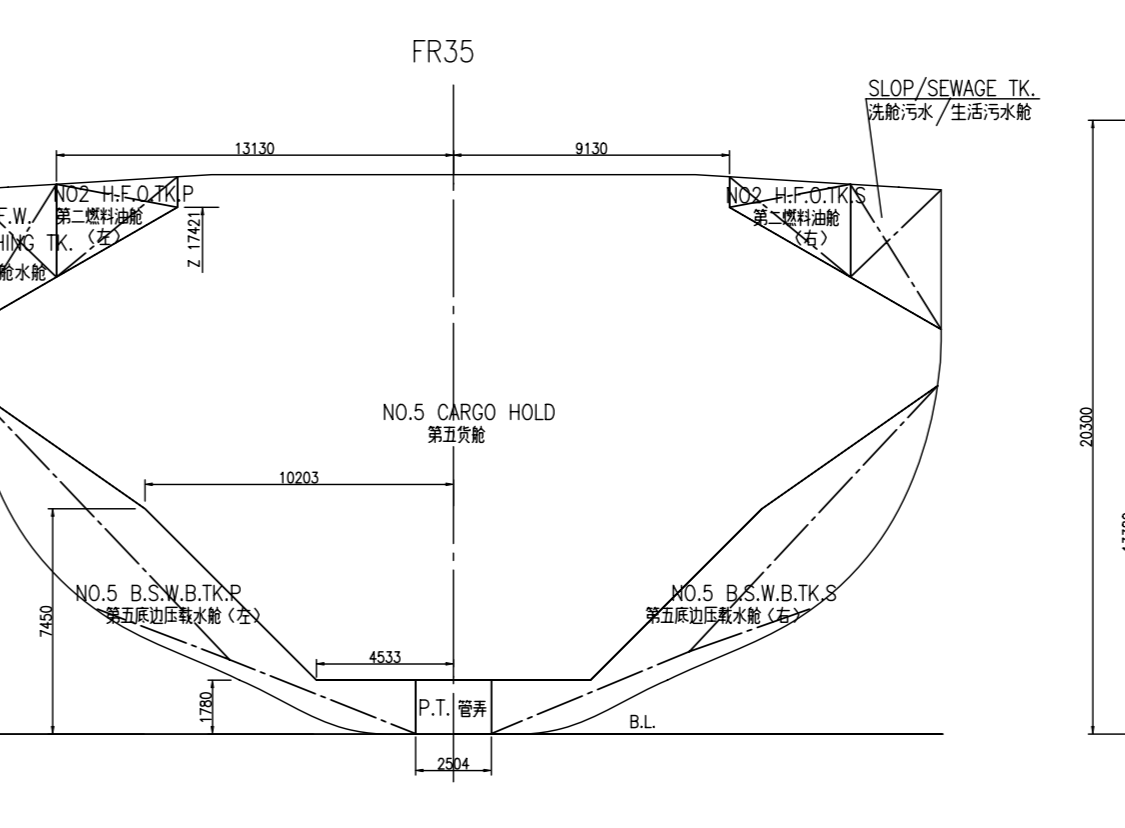
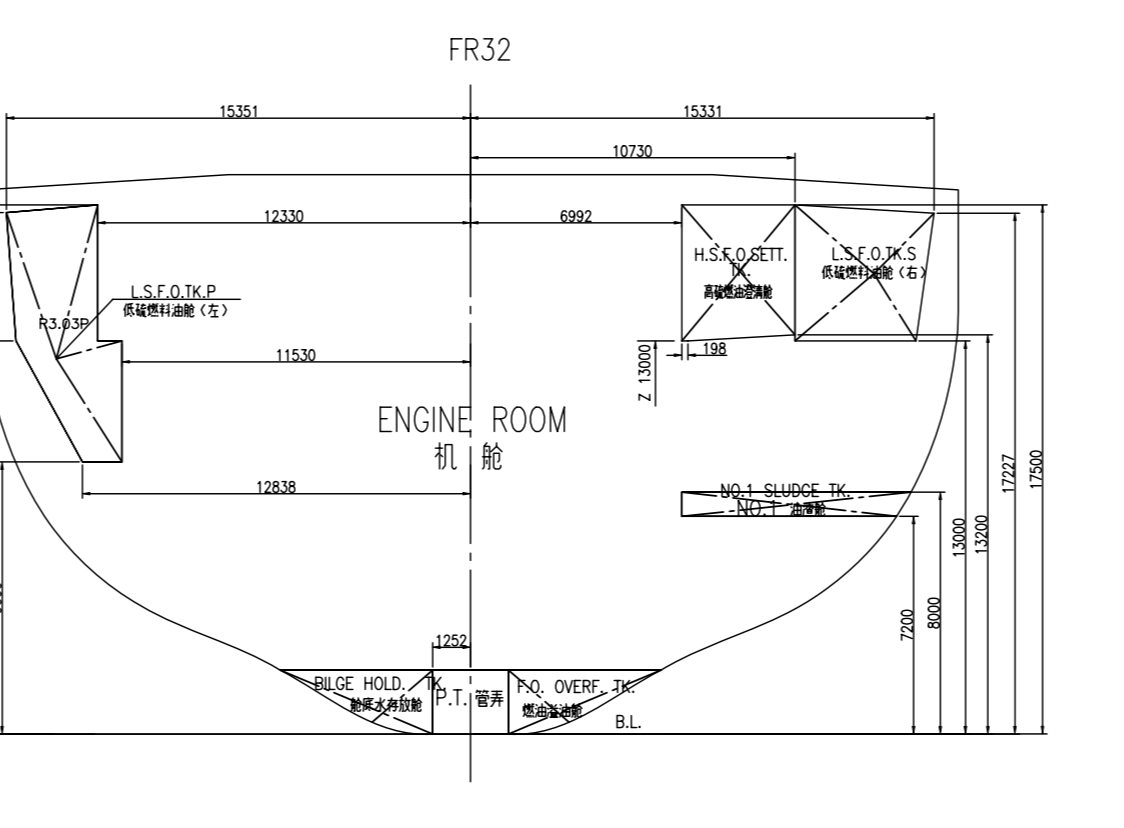
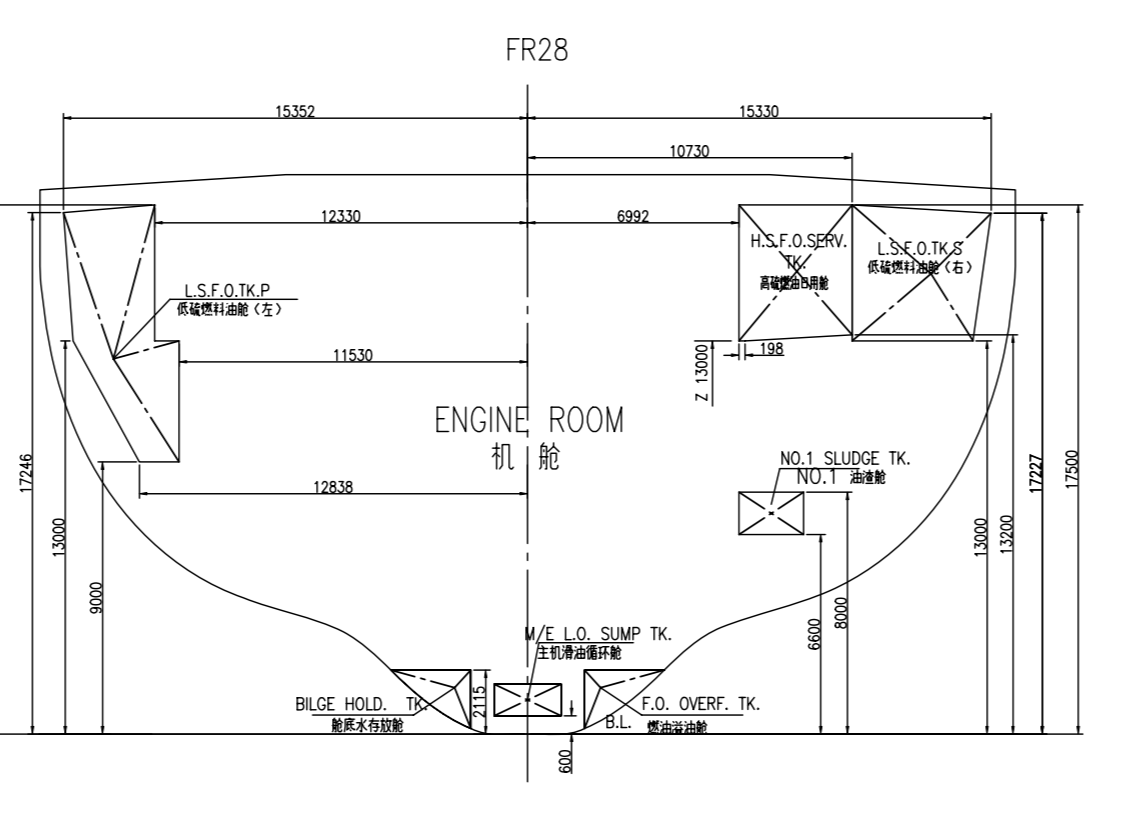
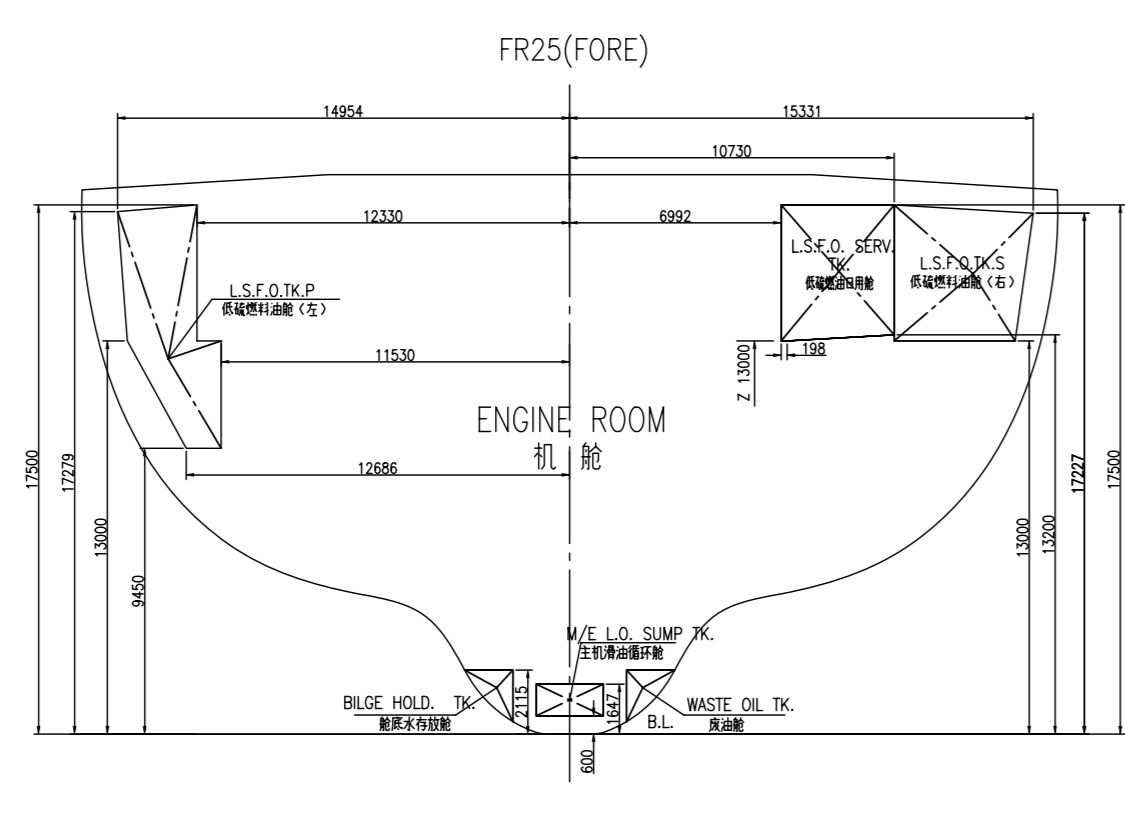
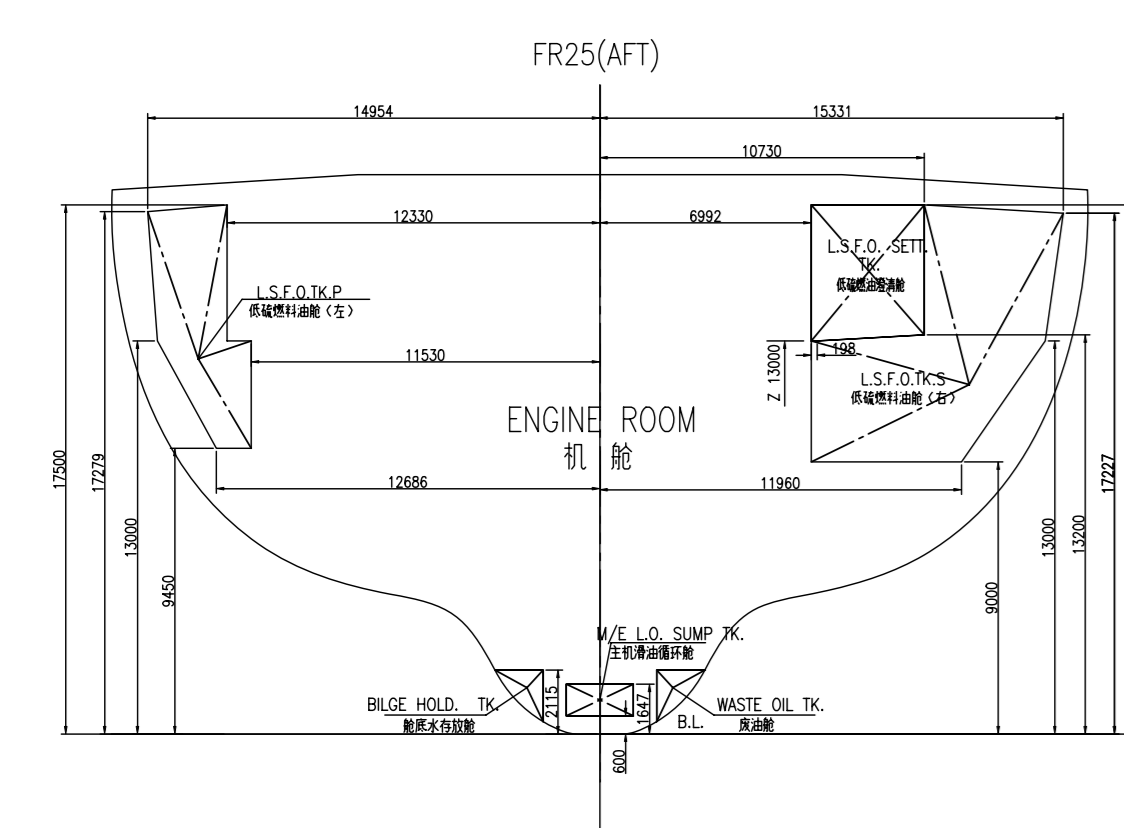


Table with columns: NAME, FRMN, FRMAX, FILL, VNET, WEIGHT, L.C.G., T.C.G., V.C.G. Includes data for Diesel Oil (Density=0.85 t/m³) and M.D.O. SERV. TK. (Density=0.85 t/m³).



主要尺度及数据 PRINCIPAL DIMENSIONS

Table listing principal dimensions and data: 总长 LENGTH O.A., 船体长度 B.P., 型宽 BREADTH MLD., 型深 DEPTH MLD., 设计吃水 DESIGNED DRAFT, 舱容水 SCANTLING DRAFT, 重量 DEADWEIGHT (AT SCANTLING DRAFT), 主机 MAIN ENGINE, M.C.R., 服务速度 SERVICE SPEED (AT DESIGN DRAFT), 续航力 ENDURANCE, 船员 complement, 分类 CLASSIFICATION, 舱位 Holds 2, 4 may be empty.



57000DWT BULK CARRIER 57000吨散货船 SC4439(SF)3-103-02B CAPACITY PLAN 舱容图